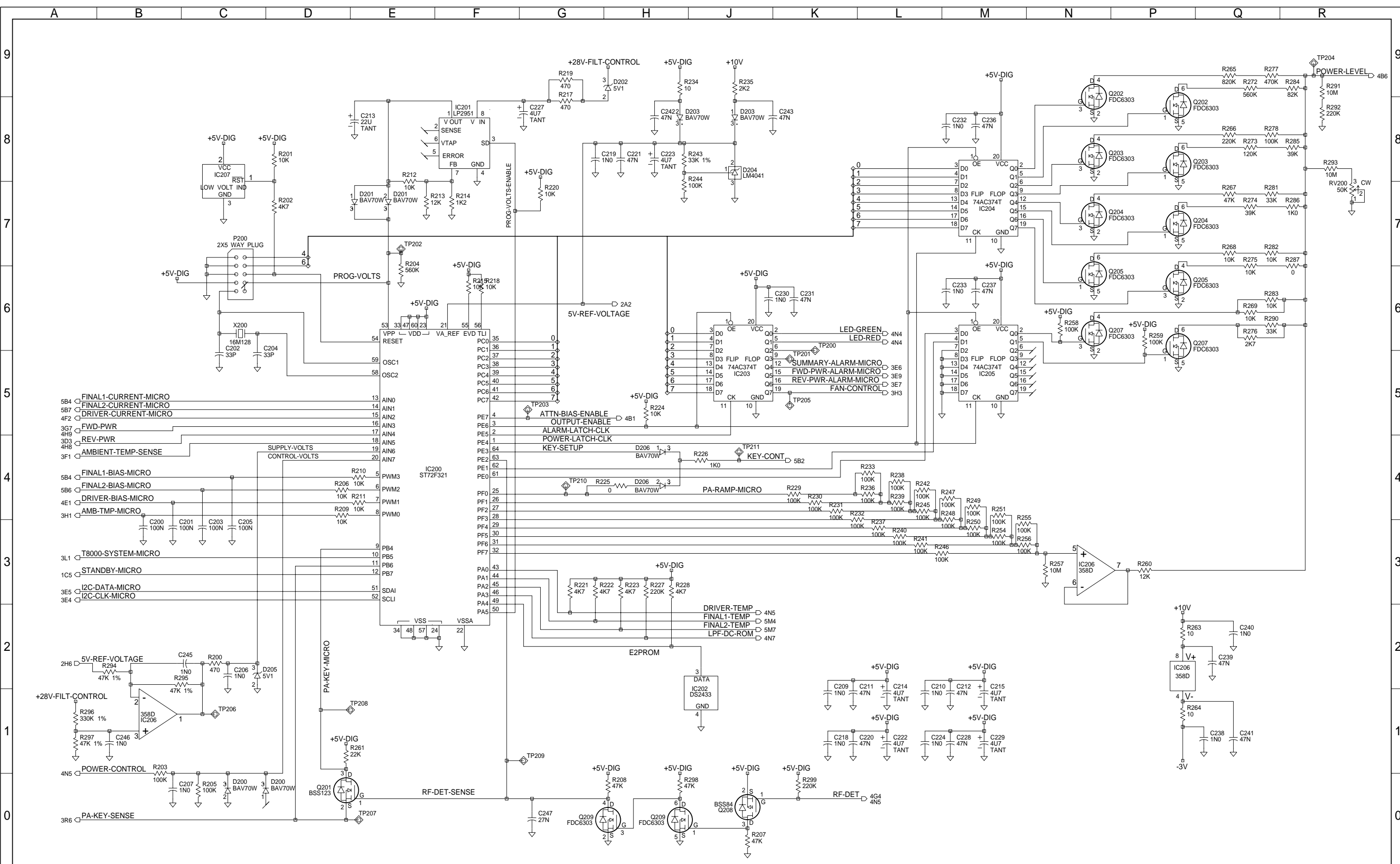


03A	DCO.02000-002	UNICAD	VERSION	TB		18-10-02
02A	DCO.02000-002	CADENCE	VERSION	ML		18-10-02
01A	CLONED FORM	226-00205-06		PAUL G		26-6-02
REV/ISS	AMENDMENTS			DRAWN	CHKD	D.O.
			APVD			DATE



© TAIT ELECTRONICS			
T8000 UHF PA (400-520MHZ) POWER SUPPLIES			
IPN:	ISSUE:	FILE NAME:	ID:
220-02000-03	A	2.SC. 1	
PROJECT:	DESIGNER:	FILE DATE:	NO.SHEETS:
T8000	CN	0200003a 18-Oct-02	5

A B C D E F G H J K L M N P Q R

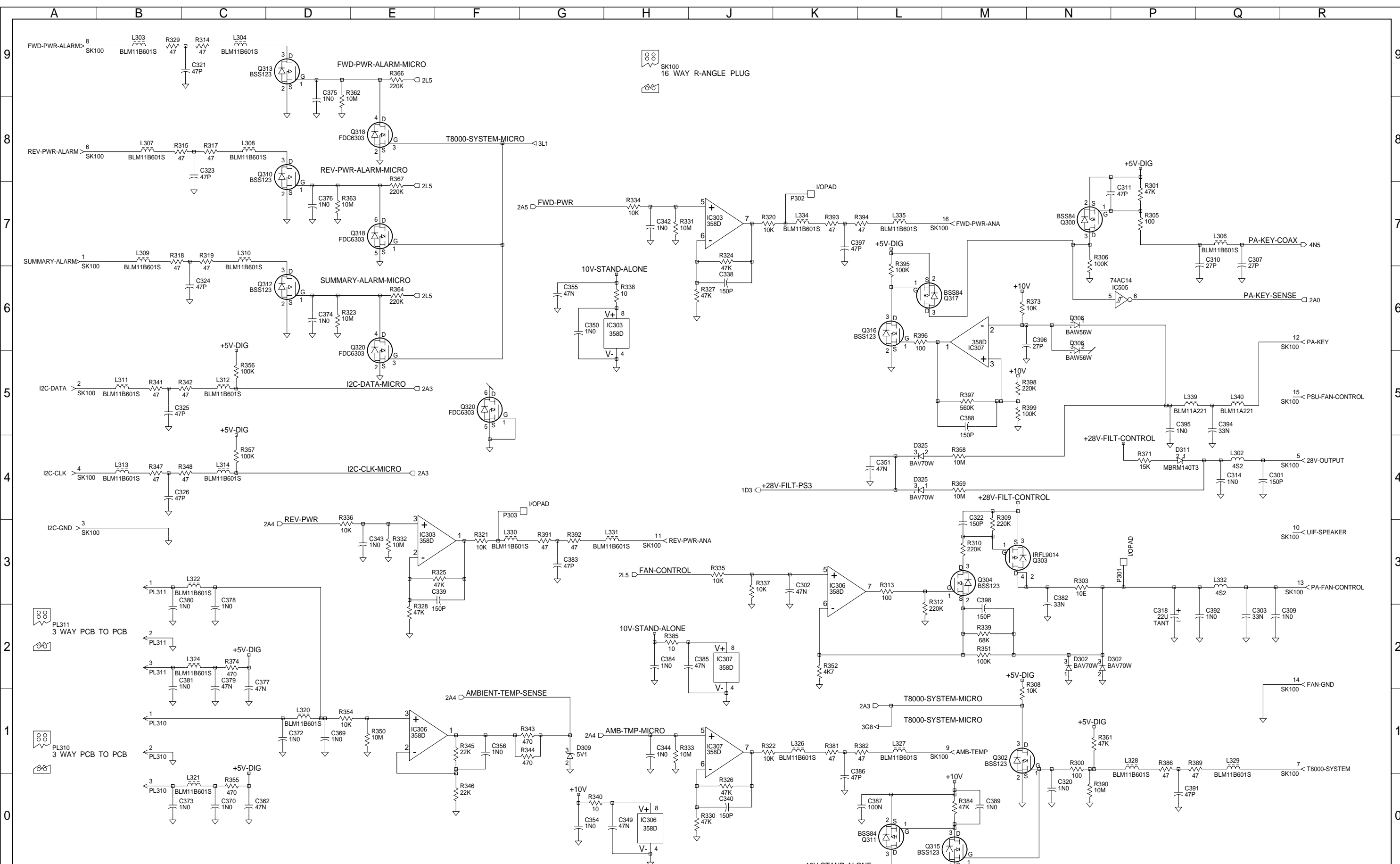


03A	DCO.02000-002	UNICAD	VERSION	TB		18-10-02
02A	DCO.02000-002	CADENCE	VERSION	ML		18-10-02
01A	CLONED FORM	226-00205-06		PAUL G		26-6-02
REV/ISS	AMENDMENTS			DRAWN	CHKD	D.O.
				APVD		DATE

© TAIT ELECTRONICS  
 T8000 UHF PA (400-520MHZ)  
 MICROPROCESSOR

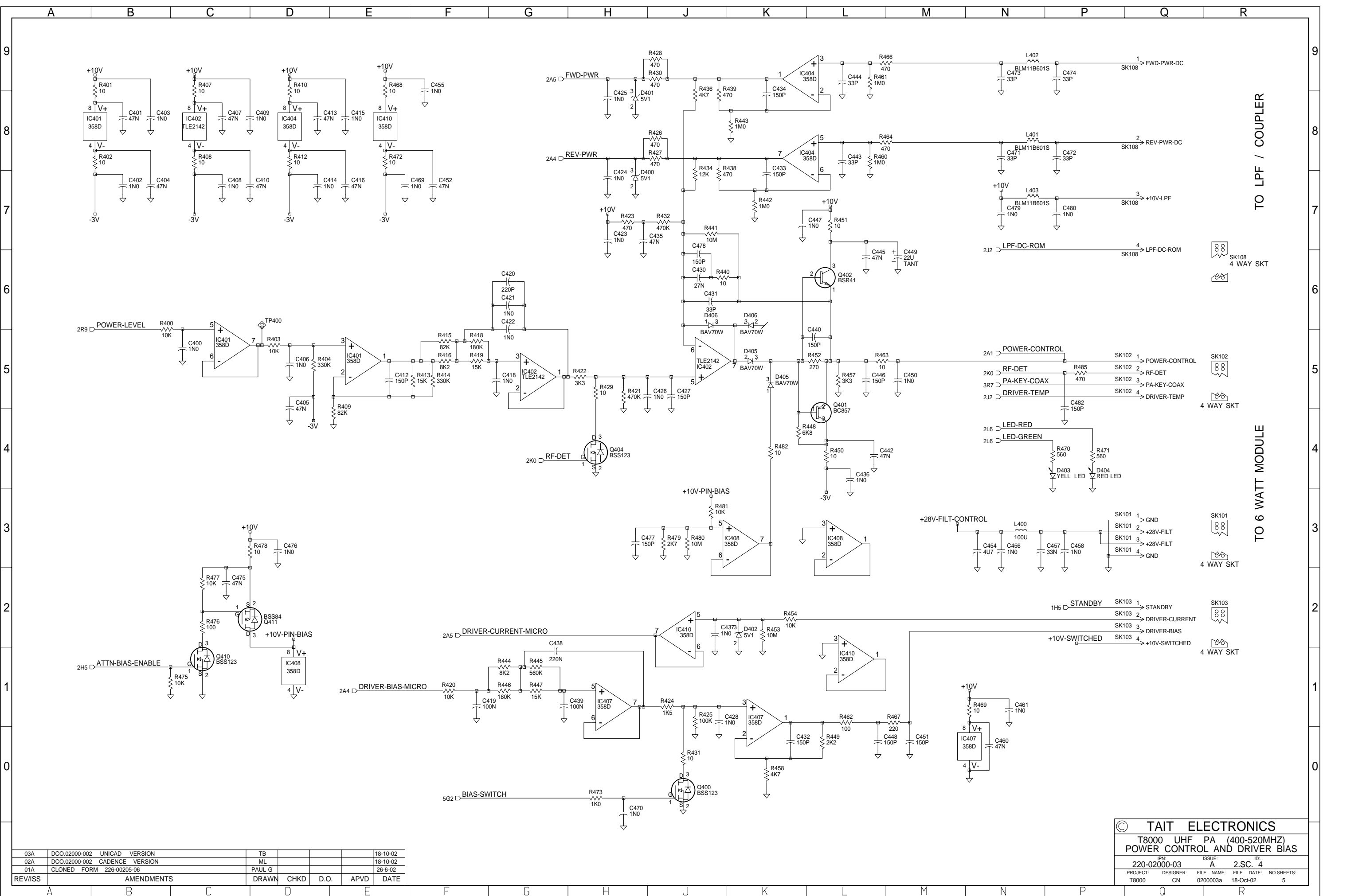
IPN: 220-02000-03  
 ISSUE: A  
 ID: 2.SC. 2

PROJECT: T8000  
 DESIGNER: CN  
 FILE NAME: 0200003a  
 FILE DATE: 18-Oct-02  
 NO.SHEETS: 5



03A	DCO.02000-002	UNICAD	VERSION	TB		18-10-02
02A	DCO.02000-002	CADENCE	VERSION	ML		18-10-02
01A	CLONED FORM	226-00205-06		PAUL G		26-6-02
REV/ISS	AMENDMENTS			DRAWN	CHKD	D.O.
				APVD		DATE

© TAIT ELECTRONICS  
 T8000 UHF PA (400-520MHZ)  
 I/O AND KEY CIRCUITS  
 IPN: 220-02000-03 ISS: A 2.SC. 3  
 PROJECT: T8000 DESIGNER: CN FILE NAME: 0200003a FILE DATE: 18-Oct-02 NO.SHEETS: 5

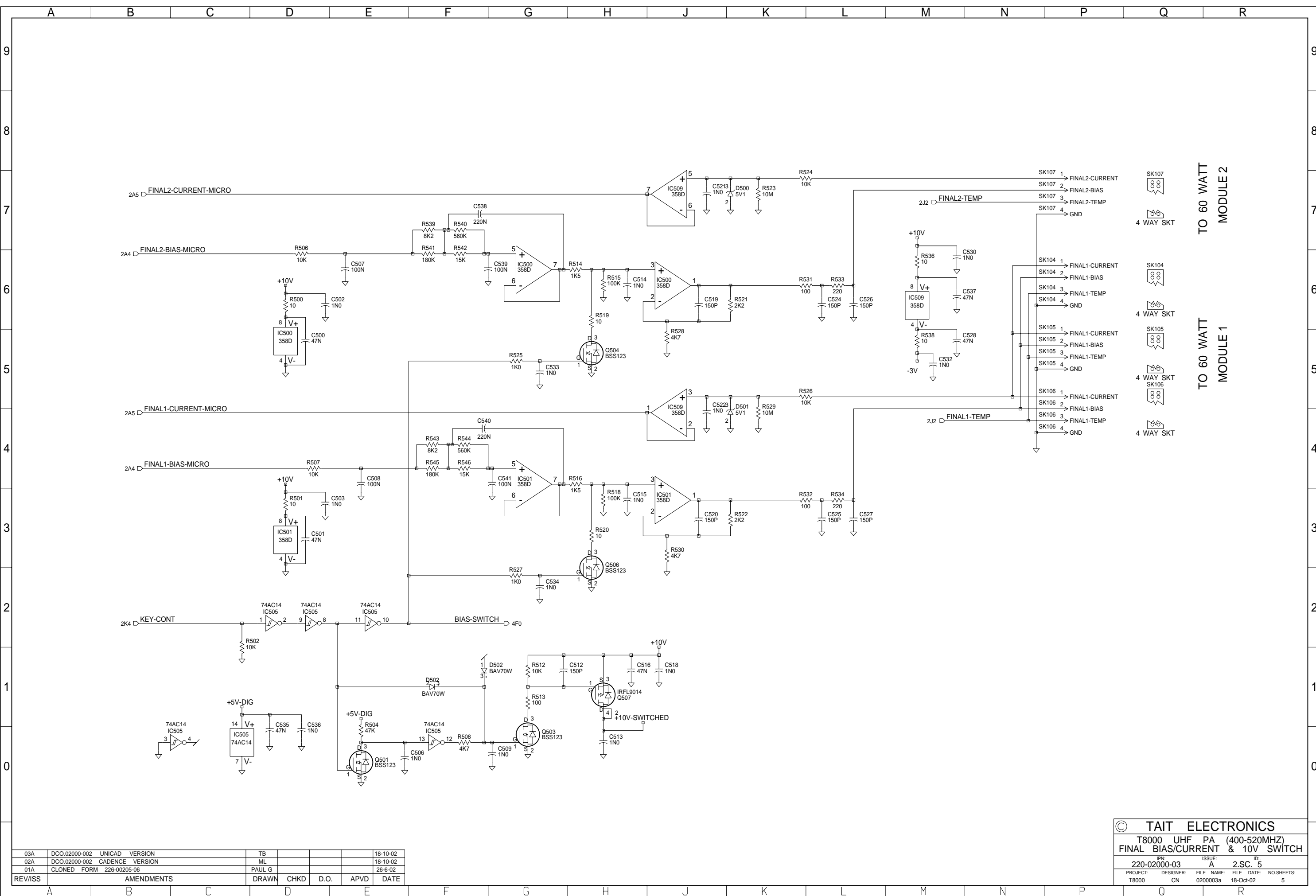


TO LPF / COUPLER

TO 6 WATT MODULE

03A	DCO.02000-002 UNICAD VERSION	TB			18-10-02
02A	DCO.02000-002 CADENCE VERSION	ML			18-10-02
01A	CLONED FORM 226-00205-06	PAUL G			26-6-02
REV/ISS	AMENDMENTS	DRAWN	CHKD	D.O.	APVD DATE

© TAIT ELECTRONICS  
 T8000 UHF PA (400-520MHZ)  
 POWER CONTROL AND DRIVER BIAS  
 IPN: 220-02000-03 ISSUE: A 2.SC. 4  
 PROJECT: T8000 DESIGNER: CN FILE NAME: 0200003a FILE DATE: 18-Oct-02 NO.SHEETS: 5



TO 60 WATT  
MODULE 2

SK107 1 FINAL2-CURRENT  
SK107 2 FINAL2-BIAS  
SK107 3 FINAL2-TEMP  
SK107 4 GND  
4 WAY SKT

TO 60 WATT  
MODULE 1

SK104 1 FINAL1-CURRENT  
SK104 2 FINAL1-BIAS  
SK104 3 FINAL1-TEMP  
SK104 4 GND  
4 WAY SKT

SK105 1 FINAL1-CURRENT  
SK105 2 FINAL1-BIAS  
SK105 3 FINAL1-TEMP  
SK105 4 GND  
4 WAY SKT

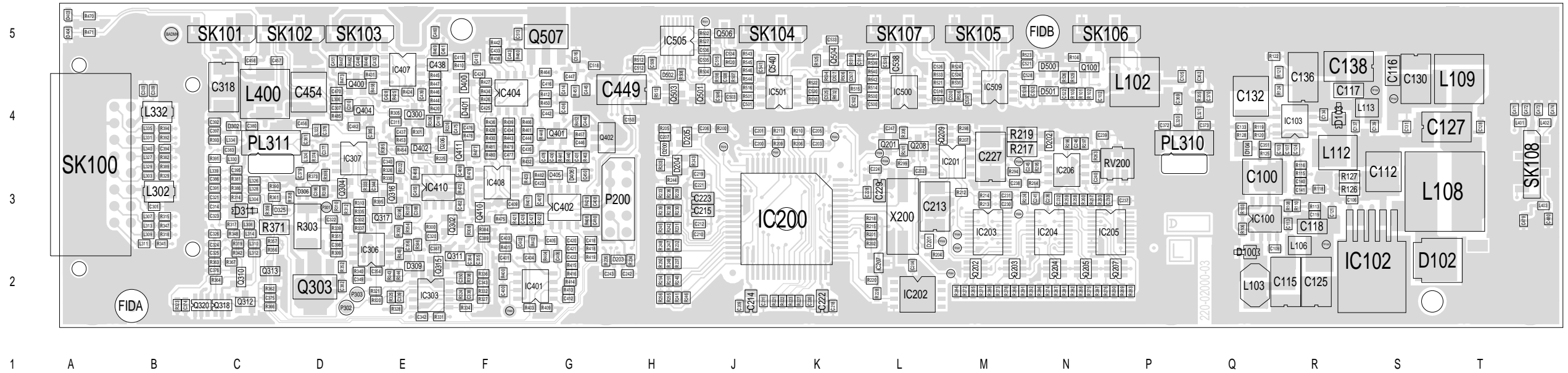
SK106 1 FINAL1-CURRENT  
SK106 2 FINAL1-BIAS  
SK106 3 FINAL1-TEMP  
SK106 4 GND  
4 WAY SKT

© TAIT ELECTRONICS  
T8000 UHF PA (400-520MHZ)  
FINAL BIAS/CURRENT & 10V SWITCH

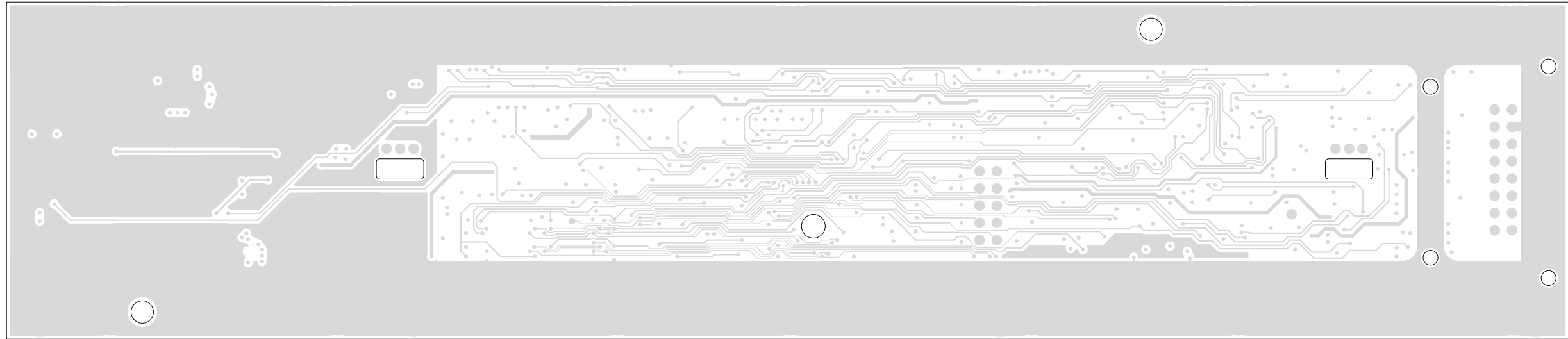
IPN: 220-02000-03  
ISSUE: A  
ID: 2.SC. 5

PROJECT: T8000 DESIGNER: CN FILE NAME: 0200003a FILE DATE: 18-Oct-02 NO.SHEETS: 5

03A	DCO.02000-002	UNICAD	VERSION	TB		18-10-02
02A	DCO.02000-002	CADENCE	VERSION	ML		18-10-02
01A	CLONED FORM	226-00205-06		PAUL G		26-6-02
REV/ISS	AMENDMENTS			DRAWN	CHKD	D.O.
				APVD		DATE



TAIT ELECTRONICS	IPN:	ISS:	ID:	DATE:
	220-02000-03	A	1.TA	18 Oct 2002
PA CONTROL PCB LAYOUT - TOP SIDE				



T S R Q P N M L K J H G F E D C B A 1

5  
4  
3  
2

TAIT ELECTRONICS	IPN: 220-02000-03	ISS: A	ID: 4.BA	DATE: 18 Oct 2002
PA CONTROL PCB LAYOUT - BOTTOM SIDE				

Scale:1.4:1 ; Rotation: 0 degrees